

COUNTIES EXHIBITS

2020 COMPETITION GUIDE

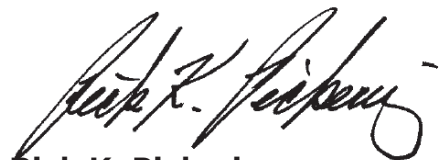
It's your moment to shine!
Enter today.

For more than 160 years the California State Fair has been a constant showcase of the talents and achievements of the people of California. Entering into the California State Fair's 2020 Competitive Exhibits Program allows you the opportunity to showcase your abilities, and revel in your accomplishments!

The California State Fair's friendly competitions are designed to recognize the best of the Golden State. Our Competitive Programs inspire talented Californians, as well as highlight the latest advances in technology, agriculture, and industry.

More than 750,000 visitors are expected at the State Fair this summer. Your work is an integral part of the State's celebration, and we look forward to placing your talent on display at the State Fair from July 17 - Aug 2, 2020. We encourage you to enter today and begin making lasting memories for yourself, your family, and for the hundreds of thousands of State Fair patrons!

Sincerely,



Rick K. Pickering
Chief Executive Officer

GOVERNOR

Gavin Newsom

CALIFORNIA STATE FAIR BOARD OF DIRECTORS

Chair, Jess Durfee, San Diego

Vice Chair, Rex S. Hime, Loomis

Rima Barkett, Stockton

Sonney Chong, Sacramento

Rina V. DiMare, Clarksburg

David Mallel, Calabasas

Brian May, Sacramento

EX-OFFICIO MEMBERS

Senator Richard Pan M.D.

Senator Cathleen Galgiani

Assembly Member Kevin McCarty

Assembly Member Susan Eggman

CHIEF EXECUTIVE OFFICER

Rick K. Pickering

AG PROGRAM MANAGER

Jay Carlson

PROGRAM MANAGER

Rachelle Weir



OFFICE OF THE GOVERNOR

California Agriculture Fair Season

On behalf of the State of California, it is my pleasure to welcome you to the 2020 fair season.

When we talk about building a California For All, our network of fairs provides an excellent example. Fairs serve communities throughout our great state, and they showcase the breadth of our diversity, inclusivity and innovation.

California's fairs introduce our children to a wondrous agricultural bounty - a point of pride for the Golden State. The livestock competitions, educational exhibits, exhilarating carnival rides, live performances, entertainment, and offerings from local vendors featured at our fairs highlight California's cultural heritage.

As exhibitors, the fair provides you with the opportunity to showcase your hard work and commitment. Through your exhibits, the community learns more about California and its agriculture and values.

Thank you for your support, participation, and for playing a vital role in California's agricultural community.

Sincerely,

A handwritten signature in black ink, appearing to read "Gavin Newsom", written over a horizontal line.

GAVIN NEWSOM
Governor of the State of California





CALIFORNIA DEPARTMENT OF
FOOD & AGRICULTURE

Karen Ross, Secretary

December 16, 2019

We can take pride in the fact that California fairs are world leaders in providing educational and competitive exhibits that showcase local communities and their talents, as well as providing a venue for all cultures and lifestyles to promote diversity within the community.

California fairs encourage their communities to learn more about the bounty of California agriculture. They foster the reconnection of consumers to the land and to the people who produce their food.

Fairs are a tradition for families and communities to come together to create lasting memories. However, our fairgrounds are much more than just a place to celebrate. We cannot overlook the events that take place at our fairgrounds throughout the year; from crab feeds to weddings and, as needed during emergency situations, fire camps and evacuation centers.

As we look ahead to the year 2020, I would like to express my appreciation for all fairground's staff, volunteers, and others who share a commitment to serve their local communities. Thank you all very much. Your support of California fairgrounds is invaluable.

Yours truly,

Karen Ross
Secretary



TABLE OF CONTENTS

Important Information to Know	7
Contact	7
Entry Dates.....	7
Why Enter the Competition?	7
Exhibit Overview	8
Who Can Enter.....	8
How to Participate.....	8
How to Enter	9
Shipping Address.....	9
New For 2020	9
Rules & Requirements	10
Required Insurance	10
Professional Builders Workers Compensation Insurance	11
Megan’s Law	11
Exhibit Design Rules	12
Exhibit Diagrams	14
Installation Requirements	15
Special Assistance Requests	17
Dry Storage	17
Forklift and Boom Lift Service.....	17
Suspension Service	17
General Electrical Information	18
Electrical Service.....	18
Electrical Requirements.....	18
Judging	19
Judging Procedure.....	19
Post-Judging Changes to Exhibit	19
Awards	20
Special Awards	20
Rosettes.....	20
Special Awards Descriptions	20
Exhibits Staff/Volunteers	21
Fair Tickets & Credentials	21

Items During The Fair	22
Handouts.....	22
Drawings/Raffles.....	22
Statements	23
Exhibit Maintenance and Judging	23
Fair Closing Procedures	25
2020 General Rules.....	26
Exhibitors Entry Responsibilities.....	26
Still Exhibits.....	26
Livestock & Ag Mechanics.....	26
Entry Limit	27
Ownership of Entry	27
Exhibitor Liability	27
No Guarantee	28
Division/Class Cancellation	28
Entry Errors.....	28
Substitution	28
Previously Entered Entry.....	29
Verification	29
Responsibility	29
Removal of Entries	29
Dishonored Checks	29
Entry Fees.....	29
Late Entries	30
Design	30
Juniors Entering Senior Department.....	31
State Fair Employee Participation	32
Disqualification.....	32
Entry Disqualifications/Transfers.....	32
Disqualifications	32
Cooperation	33
Public Disturbances	34
Probation.....	34
Judging.....	34
Judging.....	34
Judge/Exhibitor Information.....	34
Judge/Fraternization/Criticism	34
Judge’s Decision	35
Chief Judge Policy.....	35
Protests.....	35

Awards	36
Special Awards	36
Tax Laws.....	36
Premium Awards.....	36
Age Requirements.....	37
Junior Exhibitors Membership Age and Affiliation Requirements.....	37
Independent Junior and Grange Age Requirements	37
FFA Age Requirements	38
Independent and Grange Animal Exhibitors.....	38
Member Standing and Ownership Requirements	39
Eligibility Questions	39
4-H Age Requirements.....	39
Independent Junior and Grange Age Requirements	40
No Dual Affiliation in Competition	40
Adult Supervision Requirement	40
FFA Supervision Requirement.....	40
Uniforms	40
Free Speech Activities Guideline	41
Definitions	42

IMPORTANT INFORMATION TO KNOW

Contact: Zsi K. Widman

Counties Exhibits Coordinator

Phone: (916) 263-3277 & E-mail: ZWidman@calexpo.com

Entry Dates:

February 5	Exhibit Registration Open
March 13	Exhibit Registration Deadline
May 1	Counties Exhibit Meeting & Space Allocation
June 8	Exhibitor Forms Due: Proof of Insurance; Special Assistance Request Form; Staffing Schedule
June 9	California Building Available for Builders
July 6	Exhibitor Items Due: Updated Insurance Certification (if applicable); Megan's Law Form; Handouts & Drawings/Raffles Samples
July 7 & 9	Special Assistance (8 AM - 2 PM)
July 14	Cut-Off for Use of Saw/Spray Paint (9 PM)
July 15	Exhibit must be completed by 8:30 AM for Judging
July 21, 25, 28, & August 1	Maintenance Judging Tuesdays & Saturdays
August 2	Fair Closes (removal permits issued)
August 7	Exhibit Materials removed by 5 PM

The California State Fair July 17 - August 2, 2020

The California State Fair has always been the awe-inspiring showcase of the state's finest, and ever since the first fair in 1854, California has upheld this tradition. People come from all over to witness the competition and innovation that our exhibitors produce. We continue to add new and exciting competitions to our competitive programs to showcase California's very best!

Why showcase your County?

Every year, the California Counties Showcase is the highlight of the California State Fair. Take advantage of this opportunity to advertise your Counties recreation and tourism attractions, promote your industries and commerce, or feature your rich agriculture and heritage to hundreds of thousands of attendees. Get your county seen, talked about, photographed and shared by thousands of potential new and returning customers.

EXHIBIT OVERVIEW



Get noticed! We challenge you to create a display environment about your county that will encourage patrons to interact with your messaging and share with their friends.

Participants are encouraged to present any one topic or combination of topics in a compelling representation of their

County. Topics include recreation, tourism, art, commerce, culture, ethnic heritage, history, industry, lifestyle, wildlife, and natural resources. We challenge each county to showcase how their county is unique and creates memories and experiences for visitors of all ages.

Who Can Enter

All California Counties!

How to Participate

1. **Professional Builder** – County contracts with an individual or company in the business of building exhibits/displays (a list of builders is located on the web) to construct exhibit
2. **Non-Professional Builder** – County exhibit representative and/or appointed non-professional builder(s) construct exhibit
3. **County Collaboration** – Two (2) or more Counties collaborate to construct an exhibit showcasing both counties in one exhibit space (Can be Professional Built or Non-Professional Built)

How to Enter

Go to **CAStateFair.org/Competition** and click on the **California Counties Showcase** icon on the competitions page and follow the instructions. Exhibitor Forms can also be found on the web page.

Submission of entry implies acceptance of all rules and conditions as stated in this exhibit guidebook. Contact Zsi Widman with any questions concerning entry policies or procedures.

Exhibitor forms may be **faxed (916) 263-7903** (Attn: Zsi Widman) or emailed to **ZWidman@calexpo.com**

Shipping Address

Ship Exhibitor Forms to the address below:

California Exposition & State Fair

ATTN: California Counties Showcase

1600 Exposition Blvd.

Sacramento, CA 95815

NEW FOR 2020

1. No Premiums will be awarded to the Counties Exhibits in 2020
2. **Judging:** Judges will award each Counties Exhibit with a rosette that best reflects the special award categories on page 20.
3. No award reception will be held for the Countries Exhibits in 2020
4. The California State Fair will be producing a California Counties exhibit that showcases all 58 counties. There are many ways you can participate! Send us your county:
 - Docent/volunteers to represent your county at the information booth
 - Brochures
 - Swag for scavenger hunt prizes
 - Website links to your county visitor website and popular destinations
 - Tourism video or commercials

RULES & REQUIREMENTS

1. **Entry Fee:** There is **no entry fee** to enter or participate in the California Counties Showcase.
2. **Entry Limits:** Entries and Exhibit spaces are limited to one per county or county collaboration.
3. **Entry forms must be signed** by one of the following: the County Board of Supervisor's Chairperson, the Clerk of the Board or the Chief Executive Officer of the County.
4. Two or more counties may enter into one joint entry (County Collaboration) - in which case, each County Board of Supervisors is required to sign an Official California Counties Showcase entry form.
5. **Exhibitor Form Packets** are available online at **CAStateFair.org/counties** and are due **June 8, 2020**. Must include the following:
 - **Proof of Commercial General Liability Insurance** and **proof of Worker's Compensation Insurance**.
6. All exhibitors are responsible for adhering to procedures, rules, and regulations found in this Official Counties Showcase Handbook.
7. The exhibitor takes responsibility for interpretation of rules for County Representatives and other designated representative(s).

Please note: rules found in this guide are unique to the California State Fair and are not subject to rules published in another district agricultural association or County rules guide or by the Division of Fairs and Expositions of the California Department of Food and Agriculture.

The State Fair reserves the right to reject subject matter it deems inappropriate for exhibits at the State Fair.

Required Insurance

Proof of Insurance coverage is due no later than **June 8, 2020**.

General Liability Insurance: At all times while the County, its agents or contractors have access to California Exposition & State Fairgrounds, (TBD), the County will be responsible for maintaining proof of commercial general liability insurance coverage, with minimum coverage of at least \$1,000,000.00 per occurrence (combined single limit for bodily injury and property damage and cover damages for bodily injury, property damage, personal injury liability, and products and completed operations liability). The general liability insurance

coverage shall include the following provision: the State of California, California Exposition & State Fair, its agents, officers, directors, employees, and servants are made additional insured but only insofar as the operations under this agreement are concerned.

If the County or representative is self-insured, the County must provide documentation as such. Under certain circumstances, State Fair may assist a county representative with information regarding the purchase of short-term liability coverage.

Worker's Compensation Insurance: All employees or agents (including volunteers) of County shall be covered by worker's compensation insurance. Worker's compensation insurance will not be provided by State Fair. Any contractor who may be in contact with a County that does not include or provide Worker's Compensation Insurance must provide proof of separate and appropriate insurance coverage.

Professional Builders Workers Compensation Insurance

Any individual, company or organization with which participating counties have contracted to build an exhibit or exhibits will:

1. If the contractor and any subcontractors are covered under the county's Workers Compensation Insurance, will furnish State Fair with a copy of the contract.
2. If not covered by the county's Workers Compensation Insurance, provide State Fair with certification of the Builder's coverage.

Megan's Law

Any persons staffing or maintaining an exhibit space during the California State Fair must submit a Megan's Law form before **July 6, 2020**. For more information, please email countiesexhibits@calexpo.com (available in the Exhibitor Form Packet).

EXHIBIT DESIGN RULES

1. Each participating county will select their exhibit space size on their Entry Form after discussing with their builder.
2. A County Exhibit may present any subject or combination of subjects determined by the representative of the County, including agriculture, natural resources, prevalent industry, commerce, art, recreation, tourism, culture, ethnic heritage, lifestyle, history, etc.
3. The State Fair reserves the right to assign or limit space as it deems appropriate. Please note: due to building restrictions, some exhibits will be placed side-by-side with no space between them.
4. The height restriction of each exhibit is the ceiling height of the building which is approximately (30) thirty feet. Exhibits located against a wall(s) or under a mezzanine may have other height restrictions. In cases where exhibits are side-by-side, a height restriction will be enforced to ensure consistency among exhibits. *(Refer to Diagrams on page 14).*
5. Height restrictions do not apply to islands or spaces without an adjoining exhibit. All sidewalls must be finished, including the back of the sidewall when neighboring exhibit does not use that space.
6. Exposed portions of the exhibit visible from the mezzanine and stairways must be finished (covered, enclosed, painted, etc.). The finish should be consistent with the rest of the exhibit and includes storage areas exposed to viewing.
7. Components of the exhibit must remain within the boundary of the exhibit space. **There are no exceptions.**
8. If incorporating a storage attachment in the allotted exhibit space, it must be finished (top and exposed sides) and must not distract from the overall exhibit.
9. Exhibits against an exterior building wall or in a corner must obtain approval from the Counties Exhibits Coordinator to construct storage areas between the exhibit space and the California Building wall (outside the allotted exhibit space).
10. Lights are permitted if aesthetically incorporated into exhibit design.
11. All signage must be of professional quality.

12. Donors/Contributors may be recognized within the Exhibit, but should not distract from the overall exhibit. Recognition should be consistent with the design, craftsmanship and overall quality of the exhibit.
13. All exhibit commodities must remain consistent and be maintained (as needed) throughout the duration of the State Fair. No paper plates may be used for display of commodities.
14. A Two-dimensional display can be enhanced using products, produce and/or artifacts.
15. Exhibitors are responsible for following ADA rules and guidelines from the current *Access Guide: Survey Checklist in the American with Disabilities Act* to ensure appropriate access to each Exhibit. The Access Guide and further information can be obtained at www.ada.gov or 1(800) 514-0301.
 - a. Exhibits that are not in compliance with the ADA guidelines at the time of judging may be subject to disqualification.
16. If an exhibit provides a physical structure (i.e., chair, counter, riser, etc.) to be used as a station for staffing purposes, the following conditions apply:
 - a. Must be consistent with the overall style of the exhibit space.
 - b. The Exhibit Representative must be within the designated exhibit space.
 - c. Professional signage must be displayed to show when representatives are scheduled to be in attendance. (Example: “A county representative will be here daily from 10:00 am to 6:00 pm”).



Exhibit Diagrams

Diagram A: 10'x10' (100 sq. ft.) Exhibits

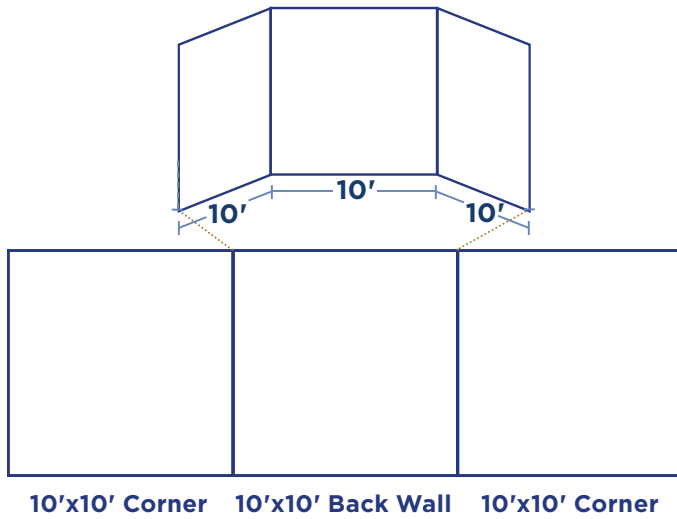


Diagram B: 10'x20' (200 sq. ft.) Exhibits

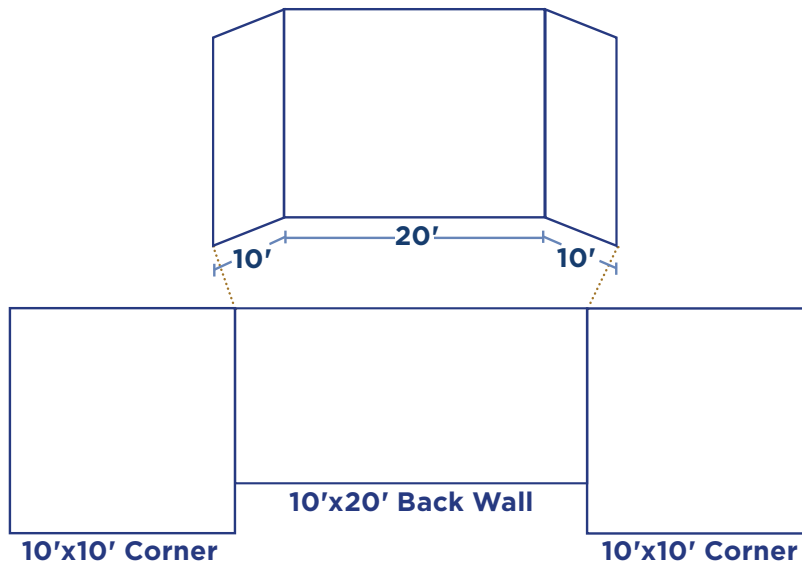
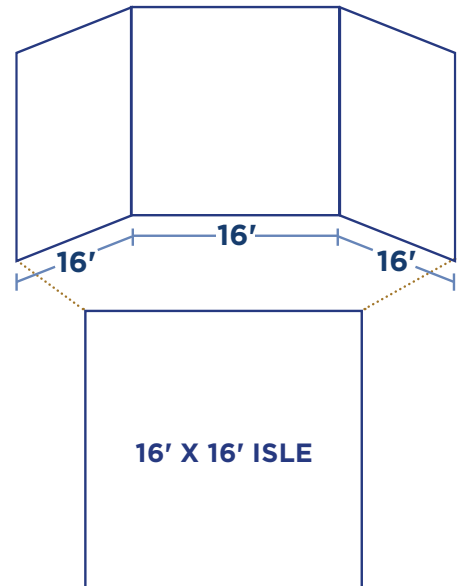


Diagram C: 16'x16' ISLE (256 sq. ft.) Exhibits



INSTALLATION REQUIREMENTS

1. The California Building will be available **June 9, 2020**. Building hours are from **8:00 am - 10:00 pm**, Monday through Friday.
 - a. If representative wishes to use the building for any other hours, arrangements must be made in advance with Exhibit Coordinator.
 - b. Exterior doors of Buildings A and B, including doors on the mezzanine, will be locked daily at 5 pm. Those working after 5 pm will be responsible for assuring all exterior doors of both buildings are secured before leaving. The last person to leave must inform Gate 12 personnel that they are the last Counties Exhibits person leaving A/B and have security personnel double check that all doors are secured.
2. **The exhibit must be completed by 8:30 am, July 15, 2020.**
3. Exhibits are restricted to the space designated by the State Fair.
4. **Cut-off time for use of saw/spray paint is 9:00 pm on July 14, 2020.** This includes power and handsaws and the use of spray paint in the interior of the California Building.
5. No exhibits, decorations or fixtures may be attached to any structural portion of the California Building without prior approval.
6. Exhibitors will be permitted to suspend decorations and/or components from the building ceiling trusses. (*See Suspension Service, Page 17*)
 - a. Exhibit builders will not be permitted in the ceiling area. The State Fair will attach and drop the necessary cables for suspension purposes.
 - b. Suspension Requests must be submitted on the Special Assistance Request Form (*available in the Exhibitor Forms Packet*)
 - c. Exhibitors are required to be present during the suspension of decorations and/or components.
7. Exhibitors and builders are to take appropriate preventative measures to keep paint, solvents, and cleaning materials from coming in contact with any wall and floor surfaces. **Restroom sinks may not be used for cleaning paintbrushes and equipment.** Temporary wash sinks will be installed to clean paintbrushes and equipment in two designated locations.
8. **Builders will be required to deposit trash and debris into provided bins on a daily basis.** This includes remaining materials after dismantling exhibits. All materials must be broken down to fit into bins provided either inside or outside the building.

9. Sound-producing exhibits may not cause annoyance or inconvenience to other Exhibitors or visitors.
10. State Fair will provide electric power to each exhibit space as described in Electrical Service Requests (*refer to Special Assistance Requests on page 17*).
 - a. Exhibitors wishing to bring, rent or install their own lighting must consult with the appropriate State Fair staff prior to installing their lighting.
11. If electrical devices are incorporated into a design, the location of power switches and/or remote controls and the directions for their operation must be identified and accessible to State Fair Staff in case of emergency, a power failure, or if needed for judging.
12. All exhibits and exhibit material will be inspected regularly by the State Fire Marshal's Office and are required to meet all standards and safety requirements. The State of California, Office of the State Fire Marshal, fire and life safety requirements shall apply to any Exhibit space.
 - a. All drapes, hangings, curtains, drops and all other decorative material, shall be made of non-flammable materials or shall be treated and maintained in a flame-retardant condition using flame-retardant solution or process approved by the State Fire Marshal.
 - b. Additional Information (including booth construction/location, fire safety tips, electrical and fire extinguishers requirements, etc.) may be obtained at **osfm.fire.ca.gov** or **(916) 568-3800**. Or from the Office of the State Fire Marshal, 2251 Harvard Street, Sacramento, CA 95815. The current California Fire and Building Code are also available at bsc.ca.gov.
13. Exhibitors will be required to reimburse and pay the California State Fair for any damages to real property, including the A/B Building floor, walls, outlets, etc., which Exhibitors may cause during the installation, building, actual exhibit period, or tear down/removal period. **State Fair reserves the right to seek reimbursements for damages.**

SPECIAL ASSISTANCE REQUESTS

Special Assistance Requests include the following: Dry Storage, Forklift and Boom Lift services, Suspension and Cable Attachment services, and Electrical services.

Requests must be made on the **Special Assistance Request Form** and received **no later than 4:30 pm, June 8, 2020** (available in the Exhibitor Forms Packet).

Each county will be eligible for a maximum of two hours of State Fair assistance at no charge. Assistance provided beyond the two-hour period will be charged at the California Exposition & State Fair Reimbursable Normal Rate.

Special Assistance dates are July 7 and 9, 2020 (8 am – 2 pm).

Dry Storage

1. Limited dry storage areas are available for Exhibitors during the State Fair and will be assigned by State Fair Staff. Participants are expected to respect each other in the use of dry storage areas.
 - a. Exhibitors are encouraged to keep storage areas tidy for volunteers to easily locate handouts and supplies that need to be replenished during the Fair.
 - b. State Fair is not responsible for theft or damage to materials in the storage area or within the exhibit.
2. The following are NOT permitted in any storage areas, including those built into exhibits: flammables, paint, solvents, or other volatile materials.
 - a. Contact the Program Coordinator if safe storage is required.

Forklift and Boom Lift Service

Forklift and Boom Lift services are available to exhibitors needing to unload and/or place a heavy object in the exhibit space or raise an element of the exhibit to a height above standard reach or the safety restrictions of a ladder.

Suspension Service

Suspension services are available for Exhibitors needing assistance hanging exhibit components. Exhibitors are required to provide appropriate cable and hardware to suspend components. Wire or cable must be of sufficient gauge to safely hold the item throughout the term of the fair. The weight limit for suspended items is 100 pounds.

General Electrical Information

3. The Fair will supply and install the following kinds of light and power services:
 - a. Power Service will be an alternating current, 60 cycles, single phase, and three-phase current, at an approximate voltage of 208 volts, or 120 volts for single phase and 208 for three phases. No direct current will be furnished.
 - b. Electrical Service will be brought to each Exhibit by the State Fair to meet ordinary requirements as listed below, via overhead drop cords, the wall or floor. **Exhibitors may NOT use electrical wall fixtures.**
 - c. Single Phase Motors (supplied by exhibitor) will not be over one (1) horsepower in size for 120 volts, or five (5) horse-power if served at 208 volts.

Electrical Service

One (1) 20 AMP circuit is available to each exhibit space. One (1) 20 AMP circuit includes 4-110 volt outlets. If your exhibit requires additional electrical service, requests must be submitted on the Special Assistance Form and approved by the Program Director. If approved, one (1) additional 20 AMP circuit will be provided free of charge and any **additional 20 AMP circuits** will cost **\$100 per 20 AMP circuit.**

Regular power may be turned off each night when the building is closed.

Electrical Requirements

4. Only State Fair Personnel are permitted in the overhead catwalk, etc. of the California Building.
5. Wiring and materials, except furnished or purchased by the exhibitor, will remain the property of State Fair.
6. All electrical installations and alterations are required to be made in accordance with the latest safety orders of the California State Division of Industrial Safety, as published in the California Administrative Code, Title 8.
 - a. State Fair reserves the right to inspect all electrical installations and to order changes to conform to existing codes as necessary.
 - b. Any electrical materials or equipment require an approved Underwriters Laboratory tag.

JUDGING

Counties exhibits must be complete and ready **by 8:30am on July 15, 2020**.

If the exhibit is incomplete by that time, it will be judged as-is.

The building will be cleared of all persons except State Fair staff and Judges for judging to commence at 9:00am.

Judging Procedure

1. Judges are appointed by California Exposition & State Fair and are drawn from the membership of our Agriculture Advisory Council and other organizations that advise and/or support the California State Fair.
2. Judges are provided with a score sheet for each exhibit.
3. Between one and five days, after judging results are validated, a copy of the Exhibit score sheet will be delivered to the County's Representative.

Judging Day

4. Judges will begin at 9:00 am, and the building will be cleared off all persons except State Fair staff and judges.
5. Judges will take into consideration the overall appeal and effect the exhibit would have on the general public, who are the intended audience.
6. Judges will award each County Exhibit with a rosette that best reflects the special award categories listed on page 20.

Post-Judging Changes to Exhibit

It is assumed that the exhibits will remain "as judged" throughout the State Fair. Should the need arise to make substantial changes or modifications to the exhibit after it has been judged, the county, its representative or builder, may do so only with the permission of the Counties Exhibits Program Coordinator.

AWARDS

NEW: No premiums will be awarded in 2020

Special Awards

LIMIT OF ONE COUNTY PER AWARD, AS FOLLOWS:

Best Agricultural Presentation	Rosette
Best Craftsmanship & Design.....	Rosette
Best Marketing Presentation.....	Rosette
Best Use of Special Effects/Animation/Technology	Rosette
Best Visitor Experience.....	Rosette

***The judges may not present an award in the above categories if there is no entry related to the category.**

Rosettes

1. Each County will receive a Rosette (ribbon) for any special awards.
2. Participating counties wishing to receive more than one Award Rosette as described above may purchase them by submitting an **“Additional Ribbon Request Form”** provided in your Exhibitor Forms Packet (**Due August 5, 2020**). Rosettes will not be ordered if payment is not received.

Special Awards Descriptions

Best Agricultural Presentation Award - Recognizes the Exhibit that best includes the County’s agricultural industry in the most imaginative, clever and dynamic fashion. At least 25% of the exhibit must be dedicated to the agricultural industry.

Best Craftsmanship & Design Award - Recognizes the best constructed without the use of a prefabricated or kit type materials. All the elements within the Exhibit should work in harmony as one unit, to give the exhibit a balanced and eye appealing focus. Special attention to detail is given to finishing.

Best Marketing Presentation Award - Recognizes the best effort to sell the overall County; its original character or unique commodity.

Best Use of Special Effects/Animation/Technology Award - Recognizes the most stimulating and/or clever use of special effects, animation or technology.

Best Visitor Experience Award - Recognizes the best incorporation of the County’s message through visitor participation, interactivity or overall experience.

EXHIBITS STAFF/VOLUNTEERS

1. Staffing your booth is not required. However, knowledgeable representatives from your County help provide a meaningful presentation by assisting fairgoers with questions and additional information.
2. If staffing your exhibit, the following requirements apply:
 - a. The number of representatives and/or representative names (if available) must be included on the staff scheduling form to receive credentials.
 - b. Each representative must submit a Megan's Law Form.
 - c. Each representative must sign in with The Friends of the Fair information booth located in the California Building before the beginning of each shift.
3. Exhibitors are expected to provide the State Fair with the **"Staffing Sign-In Sheet"** by **June 8, 2020** (Found in the Exhibitor Forms Packet).
4. If you opt to staff your booth, we recommend choosing staff that is knowledgeable about the County and features of the Exhibit.

Absolutely no personal business promotions may be conducted within the exhibit. No eating, drinking, or smoking shall be allowed within the exhibit. We encourage limiting cell phone use.

FAIR TICKETS & CREDENTIALS

1. **Staff/Volunteers:** Will be allotted a **maximum of 4 daily passes and 2 daily parking passes per staffing day** as noted on the staffing sign-in sheets.
2. **Builder(s):** Will be allotted a **maximum of 4 season passes/season car passes, a maximum of 4 delivery passes, and a maximum total of 4 daily passes/daily car passes** per county.
3. **VIP Package:** Each participating county will receive **4 Daily Admissions & 2 Daily Lot C tickets.**
4. **Maintenance during the Fair:** Each County or Builder will receive a maximum of two Maintenance ID Badges. Maintenance Badges must be requested on the appropriate form no later than Friday, TBD. The Counties Exhibits Coordinator will schedule an appointment for you to have the picture ID badge made at the Administration Office of Cal Expo.

ITEMS DURING THE FAIR

Handouts

1. All handouts and/or written materials intended for distribution must be sent to the State Fair for approval by **July 6, 2020**. The State Fair reserves the right to reject any materials for presentation or distribution.
 - a. Marketing collateral such as recreational and tourism brochures, County printed information, historical pamphlets, event flyers, product or company information, etc. are encouraged, but must be approved in advance.
2. Promotional items with company/corporate logos (ex: bags, hats, fans, shirts, etc.) are generally not approved to prevent a possible conflict with official sponsors of the California State Fair. Counties may provide a sample product that is relevant to the Exhibit to the Counties Exhibits Program Supervisor.
3. Edible items to be handed out must be in factory-sealed individual portion packages and approved in advance.

Drawings/Raffles

4. Any drawings/raffles must be sent to the State Fair for approval by **July 6, 2020**.
5. Raffles cannot require payment of money or other items of value. Only free drawings that comply with all applicable federal, state and local statutes and ordinances will be permitted.
6. Information obtained from individuals entering a drawing may be used strictly by the Exhibitor for purposes of the drawing, and may not be sold, given or transferred to any other company or individual. Any and all contact information collected must be provided to State Fair in digital/excel format.
7. Your drawing slips may only ask for name, address, e-mail address, phone number or other appropriate demographic questions. A sign stating the following rules must be next to/affixed to the box for entries:

Need not to be present to win. No purchase necessary.

All approved drawings must be held no later than **6:00 pm on Saturday, August 1, 2020**. Holding your drawing after this deadline makes it invalid and may affect your ability to hold drawings/raffles at any future Cal Expo event, including the annual State Fair.

Statements

Political and/or religious statements or opinions are not intended to be displayed in this competitive exhibit program. Organizations or individuals wishing to express political, religious or other beliefs may utilize designated zones outlined within our Free Expression Policy (available at our website online or upon request).

Exhibit Maintenance Judging

1. Maintenance of exhibits is the exhibitor's responsibility. Do not exhibit items that you are not able to maintain.
2. There will be **four (4) Maintenance Judging dates** during the Fair as outlined in the Program Calendar. The Maintenance Judge will evaluate the exhibits beginning at 9:30 am.
3. One or more of the following may be considered a deficiency:
 - a. Dust or Cobwebs
 - b. Gravel, seeds, bark, etc. not in a "raked smooth" condition
 - c. Lights burned out
 - d. Animations, sound equipment, mechanical aspects, etc. of the exhibit not operating
 - e. Fruits, vegetables, or plants missing or declining in freshness
 - f. Fruit, grain, materials, etc. spilled or not properly in its container
 - g. Signs not properly aligned or have missing/askew letters
 - h. Any portion of the exhibit in disrepair or disorder
 - i. Trash or debris in the exhibit
 - j. Dirty/smudged glass surfaces
 - k. Staffing station signed not displayed in the absence of a representative
 - l. Replacement of produce, products, and/or artifacts is not within Exhibit Design specifications
 - m. Storage areas are unsafe or disorderly
4. A copy of the deficiencies listed by the Maintenance Judge will be given to the Counties Exhibits Supervisor by 2:00 pm each judging day. Exhibit Representatives will be allowed to correct these deficiencies by 9:30 am the next day. **If these corrections are not completed, the exhibit may be subject to disqualification.**

It is the responsibility of each County Representative or builder to pick up the Maintenance Evaluation Form following each day of the maintenance judging from the “Friends of the Fair Information Booth.”

5. The California Building will be available for maintenance:
Monday - Sunday 6:00 am - 9:30 am
 - a. **A Delivery Pass** and **entry credential (fair admission)** will be required to enter **Gate 12**, and a **Maintenance ID Badge** will be required for entry to the building prior to the State Fair opening time. The building will remain locked prior to the hours of operation for the State Fair. If you are in the building prior to opening, please do not allow General Public to access the Building.
 - b. Repairs that cannot be done between the hours listed above must be done at night following the close of the building at 10:00 pm. If this is to be done, the Counties Showcase Coordinator must be notified in advance.
 - c. **Maintenance after 10:00 pm will require a Delivery Pass** to enter Gate 12 and a Maintenance ID Badge. Vehicles will be allowed to park next to the California Building doors located between the building and “The Farm.” Security will only allow access through this door at night.



FAIR CLOSING PROCEDURES

1. The California Building will **close on the last day** of the State Fair, **Sunday, August 2, 2020, at 10:00 pm.**
2. **Exhibitors may NOT begin removing or packing up items** before the close of the State Fair. Exhibitors who do not comply with this rule risk disqualification.
3. A release permit is required to drive to the California Building and for removal of material from the grounds. The permits will be available on the closing day from the Counties Exhibits Coordinator beginning after 11:00 pm. Cooperation of Exhibitors is expected, as this procedure is for the protection of all.
4. No vehicles will be authorized at California Exposition & State Fairgrounds until an “all clear” has been issued by the Cal Expo Police Department.
5. As this ensures the safety of fairgoers, a Release Permit will not be issued to the County Representative or builder until the appropriate safety clearance has been issued.
6. It is recommended that the County Representative plan to be present at the Exhibit from 9:00 pm until the early morning hours on the last night of the State Fair.
7. It is highly recommended that all electronic and/or other sensitive and valuable items be removed immediately and secured after the closing of the State Fair.
8. Exhibitors must remove all Exhibit material and debris from the building **no later than 5:00 pm on Friday, August 7, 2020.**

State Fair and management team assumes no responsibility for Exhibit material, artifacts or equipment any time at which exhibit is being constructed, exhibited, dismantled, removed or stored.

2020 GENERAL RULES

California Exposition & State Fair

General Rules are subject to any action that may cause revision or curtailment at any time before each competition or judging. Upon submission of online entry and signature on detailed receipt if applicable, the exhibitor acknowledges that they have read and understood these rules and all others of the competition in which they enter and are further responsible for viewing, reading and understanding all revisions or curtailments on the State Fair's website before the competition. Exhibitors may request an additional copy of the most current rules by contacting the entry office:

email: **entryoffice@calexpo.com.**

Exhibitors Entry Responsibilities

STILL EXHIBITS

1. All submissions and information necessary to determine that the exhibit is eligible must be submitted online, uploaded if necessary, and entry fees paid by Visa or MasterCard by the entry deadline.

It shall be the responsibility of the exhibitors to correct all deficiencies in connection with entries or exhibiting which are required of them by the rules printed in the Competition Guide.

Entries will not be judged if deficiencies have not been cleared or fees paid.

LIVESTOCK & AG MECHANICS

2. All signatures and information necessary to determine that the exhibit is eligible must be submitted online for Junior Livestock, Open Livestock, Ag Mechanics, Best of Show and Small Animals.

All Livestock, Small Animal, Best of Show and Ag Mechanics exhibitors will be required to submit a Detailed Receipt with all required signatures within one week of the entry deadline.

It shall be the responsibility of the exhibitor to correct all deficiencies in connection with entries or exhibiting which are required of them by the rules printed in the Competition Guide.

A deficiency penalty of \$20 per entry must be paid for any deficiency or fees which have not been paid by June 25 for Livestock and Small Animals, this includes not returning the detailed receipt by the due date.

Entries will not be judged if the detailed receipt is not received.

This rule shall apply to all equine shows with a requirement for their fees, forms, and signatures being submitted by the entry deadline date within each equine section of any competition guide.

ENTRY LIMIT

3. The State Fair management shall reserve the right to limit entries displayed and/or exhibited to facilities available and may limit the number of entries made by an exhibitor.

Entries may also be limited or not displayed based on size, content, subject material, or for any reason determined not in the best interest of the California State Fair.

Any return of entries under this rule will be done at the sole discretion of the State Fair management.

OWNERSHIP OF ENTRY

4. Unless specific provisions are otherwise made in the Competition Guide (printed or on the web), exhibitors must be the bonafide owner of their entries.

The management may demand such proof of ownership as it deems necessary in each case.

EXHIBITOR LIABILITY

5. Each exhibitor will be solely responsible for any consequential or other loss, injury or damage done to, or occasioned by, or arising from, any animal or article exhibited by him/her.

Exhibitor agrees to indemnify, and hold harmless, the State of California, California Exposition & State Fair and all officers, agents, and employees thereof from all claims, demands, damages, costs, expenses, or liability costs suits or actions of every name, kind and description, brought forth from or on account of, injuries to death of any person including but not limited to workers, and the public, or damage to property resulting from the performance of the exhibitor or entries.

Neither party shall request apportionment of liability by a jury.

NO GUARANTEE

6. The State Fair cannot guarantee that all exhibition requirements of an entry can be provided (i.e., electricity, a showcase, a pedestal, special lighting, special location, total space requirements, water source, computer services, or any other special requirements).

DIVISION/CLASS CANCELLATION

7. The State Fair management reserves the right to return entries and cancel any division or class in which, in its judgment, the entries are insufficient to secure adequate competition.

ENTRY ERRORS

8. State Fair management is not responsible for finding errors in entries.
9. Exhibitors are responsible for any and all errors which were submitted online.
10. No exhibitor shall be entitled to an award which has been disallowed as the result of his own error.
11. The State Fair management shall withhold the payment of awards for exhibits that are ineligible and may recover awards that have been paid for ineligible entries that are disclosed during post audits of State Fair records. However, exhibitors with a cause are entitled to question the validity of any disallowance. Such exhibitors should inform the State Fair management immediately, in writing, giving their name, address, complete description of the entry and the reason for requesting reconsideration. Requests will not be considered later than ninety (90) days after receiving notice of disallowance.

SUBSTITUTION

12. Substitutions may be made in still exhibits only in the same division of the original entry of the original exhibitor, and may be made only if completed by the entry delivery date.
13. Substitutions for livestock must be in the same division of the original entry by the original exhibitor.
14. Substitutions must be made at the time of check-in to avoid penalty.
15. Fees may apply for substitutions in excess of two per division.

16. The State Fair or the judge may disqualify or transfer to the correct class any entry which is not a true representative of the division or class in which it is entered.

PREVIOUSLY ENTERED ENTRY

17. Any non-animal (still exhibit) entry that has been exhibited at a previous California State Fair is not eligible for entry in the 2020 California State Fair.

VERIFICATION

18. Online submissions will receive a confirmation once entries are submitted.

RESPONSIBILITY

19. The State Fair shall not be responsible for exhibits remaining on the fairgrounds after designated release times.
20. All Still Exhibits or display elements remaining on the fairgrounds after designated release time will be treated as abandoned property and will be disposed of on or before September 1 of the same year.

REMOVAL OF ENTRIES

21. An exhibitor may not remove his or her entry from the California State Fair once it has been accepted.
22. **Judged or Accepted:** Entries must be on exhibit at the official opening of the State Fair or at any other time specified in the Competition Guide and shall not be removed from the fairgrounds prior to the release date printed in the guide, except (at the discretion of the State Fair management) in cases of positive evidence of sickness, accident and/or death, or other circumstances that are in the best interests of the State Fair.

DISHONORED CHECKS

23. A penalty of \$25.00 per dishonored check must be paid if a check for payment of entry fees or other applicable fees is refused by the bank. Only cash, certified check or money orders are acceptable for the penalty payment.

ENTRY FEES

24. Entry Fees are NON-REFUNDABLE.

LATE ENTRIES

25. Late Entries may be accepted at the sole discretion of the California State Fair under the following conditions:
- Late Entries will **NOT be accepted** for **California Crafts, Fine Art, Student Showcase, Photography, California Baking & Canning and Youth Baking & Canning**.
 - If the department accepts late entries, the completed entry form(s) and other completed required forms, signatures and full payment for all required fees must arrive at the California State Fair Entry Office (by Certified Mail, Hand Delivery or Electronically) no later than five calendar days after the official entry deadline requirement of the competition.

For example, if the Official Entry Deadline is June 13, the last day and time a late entry may be eligible would be June 18 at 4:00 pm. If late entries arrive after 4:00 pm on that fifth day, they will NOT be considered.
 - Open **Livestock Late Entries** will be accepted until July 3, 2020, with **an additional \$100 per entry**. Payment must be received no later than 5 pm on July 3, 2020.
 - All late entries must be accompanied with the entry fee as listed within the program in addition to a **late fee of \$20 per entry for all Junior Livestock, Open Livestock and Best of Show Horse** entries and **a late fee of \$10 per entry for non-livestock competitions and small animals** (Fur and Feathers and dogs). Acceptable forms of payment are Visa, Master Card, check or money order.
 - No entries will be accepted beyond the capacity of the facility.
 - All other entry requirements as well as any rules, regulations and schedules shall apply.
 - No entry is a guarantee of acceptance and it is the exhibitor's responsibility to confirm that the State Fair has accepted any and all entries.
 - The California State Fair expressly reserves the right to reject any and all entry forms for any reason whatsoever.

DESIGN

26. The California State Fair assumes total design control over the presentation of the exhibits.
27. Entries designed for hanging and not so equipped will be hung in a manner deemed appropriate by the State Fair.

28. No exhibit changes will be made once the entries have been displayed.
29. Once an entry has been received by the State Fair, no further handling of entry by exhibitor shall be permitted.
30. Relocation and final placement shall be accomplished by State Fair personnel.
31. Entries requiring assembly/disassembly must include detailed instructions and sketches for assembly/disassembly.
32. Instructions should indicate lifting points, unsecured parts and any other information required for such handling. Where necessary bank pins will be utilized to attach exhibits for display.

JUNIORS ENTERING SENIOR DEPARTMENT

33. All divisions and classes within Junior Departments are intended for Juniors exclusively. Entry into the Junior Department is regulated by age and youth organization requirements as outlined in this competition guide. In no case may a person, group or organization outside of these age requirements (younger or older) be allowed to enter and compete in the Junior department.
34. However, Juniors may elect to enter, exhibit and compete (animal or non-animal) in the Senior Department when the rules of that department, division or class allow for such. Such entries shall be restricted to:
 - a. A class for the exhibit that is not provided in the Junior Department.
 - b. Junior Livestock Exhibitors that officially enter and show in the Junior Livestock Show are eligible to compete in the Open Show as long as the same exhibit/animal is entered and shown in the Junior Show and the same exhibit/animal is entered and meets all Open Division entry deadlines and guidelines.
 - c. Open classes or divisions that allows for the participation of Juniors due to the open competition being a specialty, feature, regional or national show sanctioned by the State Fair and/or recognized organization. In this case, the Junior exhibitor must also enter and compete (with the same exhibit) in the current year's Junior department, division, class offered for the exhibit. This provision must be printed specifically within the rules of the feature show within this guide.
35. Anyone under the age of 18 who meets the California State Fair age requirements and is planning to exhibit in a Senior department must have their parent or legal guardian sign their detailed receipt.

36. If the exhibitor is required to be on the fairgrounds, the Junior must be supervised by their parent or legal guardian while at the State Fair.
37. Exhibit animals owned in partnership between Seniors and Juniors shall not affect Junior's eligibility when the Senior partner is the exhibitor.

STATE FAIR EMPLOYEE PARTICIPATION

38. No employee of the State Fair will be permitted to enter an exhibit for competition. No person shall be an exhibitor or sign an entry form as an agent in any Division or Department in which the exhibitor is a department head, judge, or paid employee.

Disqualification

ENTRY DISQUALIFICATIONS/TRANSFERS

39. A complete exhibit eligible in more than one Division and/or Class shall be entered and judged only in the Division and/or Class for which it best qualifies.
40. The State Fair or the judge may disqualify or transfer to the correct Class (at his/her discretion) any exhibit which is not a true representative of the Division or Class in which it is entered.

It is not, however, the responsibility of the State Fair or judges to transfer an entry to the correct Division and/or Class.

DISQUALIFICATIONS

41. The State Fair management shall reserve the right to vacate, declare ineligible for competition, and/or order the removal of any entry which is not in the best interest of the State Fair, is unsightly, unhealthy, injured, lame, unsound, endangers public safety, violates the State Fair's Animal Welfare Policies, or has been entered in violation of these rules and regulations.
42. In the event, an entry or an exhibitor is disqualified for any rule or policy violation (including but not limited to practices or procedures that are unethical, those in violation of the State Fair's Residue Avoidance Program, DNA Testing Program and those not adhering to the State Fair's schedule for the program), any or all of the following actions may take place:
 - a. The entry or exhibitor that is disqualified will be declared ineligible and will not receive awards, premium money and/or any sale proceeds.

Further, the exhibitor shall be responsible for payment of any fees, fines due or costs incurred by the State as a result of disqualification.

- b. The owner/exhibitor and members of his/her immediate family will not be eligible to compete in subsequent California State Fair Programs. The extent and degree of future eligibility shall be determined by State Fair Management.
- c. State Fair Management reserves the right (but does not guarantee) to move entries up in placing after judging has taken place when an award void is created by a disqualification.
 - This process of moving up judged entries shall only take place, however, when it is clear what the judge's placing would have been had the disqualified entry not been in competition.
 - For example, when a Champion is disqualified, the Reserve shall move up and be named the Champion; however, no other changes shall take place below the Reserve Champion. The same shall apply in the case of a class, section or division winner when a 2nd place has been clearly indicated by the judge.
 - If it is not possible to clearly determine a new placing, no change shall take place.
 - When a placing change does take place the entry moving up will receive all the awards, appropriate titles and all premiums of the disqualified entry but will not receive any of the original placing awards or premiums won in the second category. In other words, 2nd place will now receive 1st money and "no" entry will receive 2nd money.

COOPERATION

43. Exhibitors, their immediate family, leaders, advisors and agents thereof, not cooperating with security personnel or any other State Fair officials in all matters of policy, including but not limited to parking, stall/pen/space assignments and appearance, judging and/or animal care will have their entries cancelled and will be ordered to remove their exhibit from the grounds immediately and forfeit all awards, premium monies, and sale proceeds. Failure to adhere to this rule will result in being banned from the State Fair.

PUBLIC DISTURBANCES

44. Exhibitors causing public disturbances, those who are uncooperative and/or unsportsmanlike, those not following good animal welfare practices as determined by management, or those found in violation of rules or in practices unethical or inimical with the State Fair program and/or policies/procedures shall be penalized by forfeiture of premiums awarded, any and all awards, payments of fines and/or damages to State Property, privileges, and/or disqualification at this or subsequent State Fairs as may be deemed appropriate by the State Fair Management and/or the Board of Directors.

Further, if the exhibitor and/or exhibitor's adult supervisor, parent or family member's actions are deemed to be illegal, inhumane or unethical to livestock; the proper authorities will be notified for further investigation by those agencies for possible prosecution and/or civil penalties.

PROBATION

45. Any exhibitor found in violation of any rule may be placed on probation for one year or longer if State Fair management deems appropriate.

Judging

JUDGING

46. The judge(s) shall award first, second or third place, etc., according to merit and if without merit the judge shall make no award under any circumstances. This rule applies whether there are one or more entries in the class.

JUDGE/EXHIBITOR INFORMATION

47. No person shall act as a judge in any Division in which he/she or a member of his/her immediate family is an exhibitor, is in charge of an exhibit or division, in charge of a group of exhibitors, or is a member of a group of exhibitors.

JUDGE/FRATERNIZATION/CRITICISM

48. Judges should avoid unnecessary fraternization with exhibitors. No person shall be allowed, under any circumstances, to interfere with the judge, or judges, during their adjudications, or with the State Fair's staff, or to offer any criticism of any exhibit of another.

Violators of this rule shall be excluded immediately from the judging area and competition and be subject to such additional penalties, including cancellations of awards, as the State Fair management shall consider appropriate.

49. No exhibitor shall receive more than two cash awards in any one class. For this rule only, a husband, wife, and unmarried children (including foster children) under 18 years of age shall be considered as being one exhibitor, except that brothers and/or sisters shall be considered as being separate exhibitors in Junior Department classes.

This rule shall have no bearing on consideration in the placing of entries by judges. Ribbons shall be presented in the order of placing by the judges.

The management shall, however, pay third money to the fourth winner, etc., when the third winner is prohibited from receiving third cash award under the provisions of this rule. (Any entry or exhibit in which one or more members of the family described above has a financial interest shall be included in the limitation of not more than two cash awards per class.)

50. Management reserves the right to combine or to divide classes in a manner it deems necessary in order to assure adequate competition.

In the event of a show change, as a result of this rule, or where classes are established after the close of entries, premiums and awards will be distributed, divided or eliminated in a manner as deemed necessary by State Fair Management.

JUDGE'S DECISION

51. The judge's decision is final.
52. The judge's decision cannot be protested.

CHIEF JUDGE POLICY

53. A Chief Judge will be assigned by the State Fair, for still exhibits only, to mediate in the event there is a conflict during the judging process. All decisions of the Chief Judge shall be final and may not be protested.

PROTESTS

54. **For still exhibits and horse only** - Any protest must be submitted in writing and given to the State Fair's staff member responsible for the Competitive Program in question within 24 hours of the time of the cause of the protest.

Protests must be based on a violation of rules, and you must reference the rule in your protest. The judge's decisions on awards cannot be protested.

No protest shall be considered by the management unless accompanied by a deposit of \$300.00 (Cash, money order or certified check).

The deposit shall be forfeited if the protest is not upheld.

Protests shall be adjudicated by State Fair management.

State Fair management will consult with a member of the California State Fair Board of Directors who shall be designated by the Chairman of the Board.

The decision of State Fair Management shall be final and unappealable. See special livestock rules for protests in the Livestock Program.

55. Undo no circumstances will any entry which has been previously judged be "rejudged" due to the disqualification or removal or another entry.

Awards

SPECIAL AWARDS

56. Special Awards contributed by businesses or individuals are offered in some California State Fair Competitive Programs.

These Special Awards are the obligation of the contributor/donor.

The California State Fair is not responsible for redemption of these awards.

TAX LAWS

57. It is the responsibility of the exhibitor to investigate and adhere to State and Federal tax laws/regulations regarding premiums paid, and awards received.

As an out-of-state payee who earns \$1500 or more, Cal Expo must withhold 7.5% for State taxes.

You may request an exemption or a reduction of this withholding by filling out and submitting the Nonresident Withholding Waiver Request, California Form 588.

PREMIUM AWARDS

58. Awards, ribbons, tags or cards have no value as payment. Premiums are paid only from the records of the judges' sheets.

59. Premium checks will be issued as soon as auditing, drug testing, if applicable, and processing can be completed. If checks are not received by November 15, please phone or write the State Fair.
60. Checks must be **cashed within six months** of the date of issue.
61. Exhibitors have until December 31 of the same year, to claim checks returned to the State Fair. Checks will not be reissued after this date.

Age Requirements

JUNIOR EXHIBITORS MEMBERSHIP AGE AND AFFILIATION REQUIREMENTS

62. Organization affiliation requirements: If a Junior (youth) exhibitor has been a member of a junior organization for 60 days immediately prior to the opening date of the State Fair (July 12, 2020), and their project or entry was produced or conducted at any time during the year of 2020 under the supervision of the organization, the Junior must enter the divisions or classes designated for that organization.

If, however, the project or entry was not produced or conducted under the supervision of the organization, the Junior must enter as an Independent Junior for that project or entry.

Example: If a 4-H member wishes to enter a Market Steer competition and Junior Sheep competition, in a situation where they are only enrolled in a 4-H Beef project, the entry is as follows: Enter 4-H for the Market Steer competition and Independent Junior for the Junior Sheep competition (even though the exhibitor is a 4-H member, the baked goods project was not produced or conducted under the supervision of the organization).

63. Non-designated “Junior” shows or divisions: If a show or division offered is not specified as 4-H or FFA, Junior exhibitors who are enrolled in a 4-H or FFA project relating to that show or division must still enter as members of their respective organizations and follow all applicable rules and regulations of the department.
64. All 4-H exhibitors must be 9 years old by December 31, 2019, and not be older than 19 years old as of December 31, 2019. Exhibitors must also meet age and membership requirements of their organizations when entering as a member of an organization. Exhibitors must also meet the ownership and all other requirements of the competition to be eligible for entry.
65. California Grange: California Grange youth shall be considered Independent Juniors for Livestock, Dairy, Small Animal and Still Exhibits.

INDEPENDENT JUNIOR AND GRANGE AGE REQUIREMENTS

(Rules 66-69 apply to Indoor non-animal Exhibits only.)

66. Independent Junior and Grange exhibitors may enter California State Fair classes and divisions in indoor (Still Exhibit) competitions if they are 5 years old as of January 1, 2020.
67. Independent exhibitors are eligible to compete/exhibit through December 31 of the year in which they turn 18 years of age.
68. Grange exhibitors are eligible to compete/exhibit through December 31 of the year in which they turn 19 years of age. Exhibitors must meet the ownership and all other requirements of the competition to be eligible for entry.
69. Independent Still Exhibit Exhibitors: Persons, who are “not” 4-H, FFA or Grange members may enter the Junior competitions provided they meet age requirements for youth exhibitors in the competition they are entering. These Juniors are considered Independent Juniors and must enter Independent Junior classes or divisions when the classes or divisions are designated as such in the Indoor (Still Exhibits) Competitions.

Exhibitors who enter Independent of an organization must not be older than 18 years old as of January 1, 2020.

FFA AGE REQUIREMENTS

70. The first year of eligibility will be determined by the FFA advisor; however, the exhibitor must have graduated from the 8th grade as of July 1, 2020.

FFA requirements allow exhibitors to enter FFA classes through the year following the year in which they graduate from high school.

INDEPENDENT AND GRANGE ANIMAL EXHIBITORS

71. Persons who are “not” 4-H or FFA members may enter the Junior Live-stock Show provided they meet age requirements for animal exhibitors at the State Fair.

These Independent and Grange exhibitors shall enter 4-H or FFA classes as follows:
 - a. Independent and Grange Junior exhibitors who are 13 years of age or under (as of show day) shall compete in the appropriate 4-H divisions only.

- b. Independent and Grange Junior exhibitors who are 14 years of age (as of show day) or are incoming freshmen in high school shall be placed by State Fair Management in either 4-H or FFA divisions.
- c. Independent and Grange Junior exhibitors are eligible to enter 4-H or FFA Showmanship. Independent Juniors are not eligible for County or Chapter Groups or Outstanding Exhibitor.

MEMBER STANDING AND OWNERSHIP REQUIREMENTS

- 72. Juniors who are members of 4-H, FFA or Grange must be in good standing with their organization and projects entered as such must have been conducted under the supervision of the organization and must be owned by the exhibitor (unless otherwise stated).

ELIGIBILITY QUESTIONS

- 73. Any questions as to the eligibility of an entry shall be determined by the exhibitor's advisor (for 4-H, FFA or Grange), instructor (for Student Showcase) or parent or guardian (for Independent Juniors). Notwithstanding the foregoing, the State Fair shall make the final determination of eligibility in all cases.

4-H AGE REQUIREMENTS

- 74. The levels of membership for 4-H are aged based. Each level is defined as follows:
 - a. **Primary Level:** Must be 5 years old as of December 31, 2019. Primary membership ends when members qualify as junior members. Exhibitors who are under nine years of age on or before December 31, 2019, are not eligible to compete in animal competitions at the California State Fair.
 - b. **Junior, Intermediate & Senior:** Must be 9 years old by December 31, 2019. Exhibitors are eligible to compete/exhibit through December 31 of the year in which they turn 19 years of age.
 - c. **Home Schooled Children:** Age criteria, as listed in 1 and 2, only will apply to homeschooled children. A grade level will not be a consideration. (Exhibitors who are under 9 years of age as of December 31, 2019, are not eligible to compete in animal competitions at the California State Fair.)

INDEPENDENT JUNIOR AND GRANGE AGE REQUIREMENTS

(This rule applies to Animal Exhibitors)

75. Independent Junior and Grange animal exhibitors must be 9 years old as of January 1, 2020, and are eligible to compete through December 31 of the year in which they turn 19 years of age. Independent Juniors and Grange exhibitors shall enter 4-H or FFA animal classes.

NO DUAL AFFILIATION IN COMPETITION

76. Under no circumstances may an exhibitor show the same species or project in more than one Division of the Junior Department.

ADULT SUPERVISION REQUIREMENT

77. All Junior exhibitors, required to be on the State Fairgrounds, must be accompanied and supervised by an adult while on the State Fairgrounds. Instructors, advisors, leaders and other adults in charge of Junior exhibitors shall be responsible for their conduct at all times.

FFA SUPERVISION REQUIREMENTS

78. All FFA exhibitors entered as such must be supervised by their agricultural instructor.

Any deviation from this rule must be taken up with the State Agriculture Education unit representative in charge.

The CATA Curricular Activities Code shall govern the conduct and eligibility of FFA exhibitors and their projects.

UNIFORMS

79. Uniform requirements for Independent youth shall be the same as required for 4-H and FFA members excluding insignia.

The official show uniform for animal exhibitors at the California State Fair will be white pants, trousers or dress and a white blouse or shirt.
80. No exhibit owned by a chapter or club, or conducted, as a joint project by two or more individuals is eligible in the Junior Department unless the division/class specifically states.

FREE SPEECH ACTIVITIES GUIDELINE

81. The California Exposition & State Fair (Cal Expo) hereby finds that these guidelines are intended to set forth in writing Cal Expo's long-standing policy governing the conduct of Cal Expo employees and exhibitors, as well as members of the public, under the First Amendment to the United States Constitution and Article I of the California Constitution, on Cal Expo's grounds.

These guidelines are not intended to enlarge upon nor create any rights guaranteed by existing law nor waive any defense or rights available to Cal Expo, nor do they represent any admission that the facilities of Cal Expo are open as a public forum.

It is the policy of Cal Expo to allow within the parameters set forth herein, reasonable access to its grounds and designated free speech expression zones for demonstrations for free speech activity as allowed by the First Amendment to the United States Constitution and Article I to the California Constitution.

For further information regarding Free Speech Activities at the California Exposition & State Fair please write to:

Chief of Police, California Exposition & State Fair
P.O. Box 15649, Sacramento, CA 95852.

82. Should contractors, associations, clubs or individuals desire to arrange for beverages and food service, all such arrangements must be coordinated through Spectra, the State's Master Food & Beverage Contractor. **No exceptions.**

Contractor shall be responsible for expenses related to these services if any.

Alcoholic beverage service areas/facilities will only be allowed in designated locations.

Only persons 21 years or older will be allowed to consume alcoholic beverages.

Further, no alcoholic beverages may be brought onto the grounds.

These products may only be acquired at Spectra locations on the grounds. Individuals that endanger themselves or others will be reported to authorities.

DEFINITIONS

The following definitions apply to this guide

American System of Judging: Each entry in a class is judged in comparison to the other entries in the class. Entries are placed first, second, third, etc. according to relative merit. There will be no more than one first, second, third, etc. per class.

Danish System of Judging: Each entry in a class is judged on its own merit. Entries are placed first, second, third, etc., depending on points received based on the score card. There may be more than one first, second, third, etc. per class.

Senior Departments: California Fine Art, California Crafts, California Baking & Canning, Student Showcase, Photography, Commercial Wine, Commercial Craft Brew, Home Brew, California Cheese, California Olive Oil, Open Livestock by species and Open Small Animals by species.

Junior Departments: Youth Arts, California Youth Baking & Canning, Student Showcase, Photography Junior Livestock by species and Junior Small Animals by species.

Senior/Open Exhibitor: An exhibitor who is no longer eligible to be a Junior Exhibitor or enter a Junior Department.

Junior Exhibitor: An exhibitor who is a member of 4-H, FFA, Grange, or an Independent Youth Exhibitor who meets the requirements of Independent Junior divisions offered. See the specific show and General Rules for exceptions to this definition.

Entry Office: The California State Fair Entry Office is located at 1600 Exposition Blvd., Sacramento. Contact may be made by phone, mail, email or personal contact. Questions regarding competitions may also be directed to the Entry Office. (916) 263-3149 - entryoffice@calexpo.com.

Still Exhibits: All competitive exhibits which are typically indoor and not involving animals, such as art, quilts, foods, crafts, sewing, metalwork, jewelry, graphics, drafting, sciences, etc.

Livestock & Small Animals: All competitive exhibits which animals are the entry; such as beef, sheep, swine, dairy cattle, goats, llamas, cavies, rabbits, poultry, dogs, etc.

Online Entry: Commitment to enter and abide by rules.

Detailed Receipt: An official form used in submitting an entry/exhibit in the California State Fair. The Detailed Receipt is only required for Open and Junior Livestock, Fur & Feathers, Best of Show and Ag Mechanic exhibitors.

Entry Fees: A fee charged to enter a competition. All entry fees must be paid online when entries are submitted.

Entry/Exhibit: Terms used to define the item entered in the competition or contest.

Entrant/Exhibitor: Terms used to define the person entering the competition.

Premium: A cash award is given to winners of the competition.

Department: Competition you wish to enter, i.e., California Crafts, Fine Art, Youth Arts, etc. which is comprised of similar shows.

Shows: Generalized sections of the competition.

Division: Categories within a show.

Class: Specific categories within a division.

Competition Guide: a printed or electronic (web) book, prospectus, or flyer which contains information for entry into the California State Fair competitions. Competition Guides can be a printed document or as an electronic document found on the California Exposition & State Fair website CAStateFair.org.

Bonafide Ownership of Exhibit - ownership is the state or fact of exclusive rights and control over property considered an entry or exhibit. This definition includes livestock, small animals, and horses although not limited to that type of property. Objects/products created or produced are also included as well as intellectual property. Proof of such ownership may be required by management.